



CADET ROUND COUNTERTOP SINK

- European-styled interior bowl
- Vitreous china construction
- Self-rimming round countertop
- Front overflow
- Supplied with cutout template
- Front overflow

- 0427.444** Faucet holes on 4" (102mm) centers (illustrated)
- 0427.888** Faucet holes on 8" (203mm) centers
- 0427.111** Center hole only

Nominal Dimensions:
19" dia. (483mm)

Bowl sizes:
15-1/4" (387mm) wide,
12-1/4" (311mm) front to back,
6" (152mm) deep

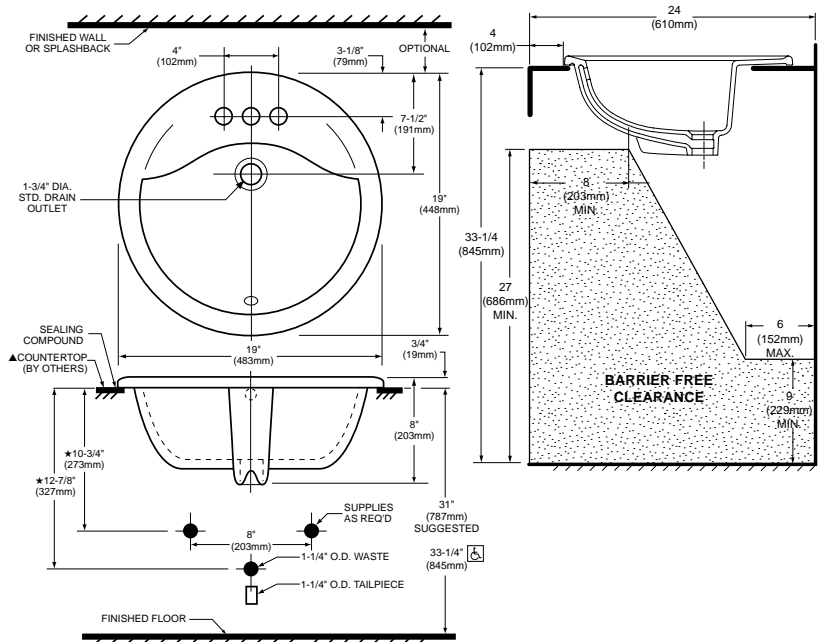
**Compliance Certifications -
Meets or Exceeds the Following
Specifications:**

- ASME A112.19.2M for Vitreous China Fixtures
- CAN/CSA B45 series

To Be Specified

- Color:
- Faucet*:
- Faucet Finish
- Supplies:
- 1-1/4" Trap:

* See faucet section for additional models available



NOTES:

- * DIMENSIONS SHOWN FOR LOCATION OF SUPPLIES AND "P" TRAP ARE SUGGESTED.
- ▲ FOR COUNTERTOP CUTOUT USE TEMPLATE SUPPLIED WITH SINK.
- FITTINGS NOT INCLUDED AND MUST BE ORDERED SEPARATELY.
- IMPORTANT:** Dimensions of fixtures are nominal and may vary within the range of tolerances established by ANSI Standard A112.19.2. These measurements are subject to change or cancellation. No responsibility is assumed for use of superseded or voided pages.

MEETS THE AMERICAN DISABILITIES ACT GUIDELINES AND ANSI A117.1 ACCESSIBLE AND USEABLE BUILDINGS AND FACILITIES - CHECK LOCAL CODES.
Install lavatory 864mm (34") from finished floor.
Lavatory installed 51mm (2") minimum from front edge of countertop provides 686mm (27") knee clearance area.